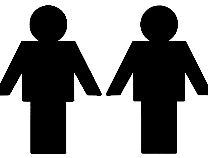
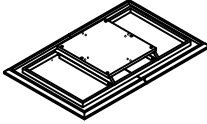
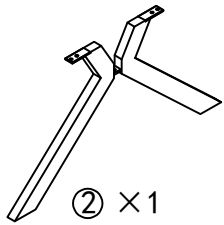
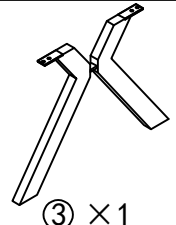
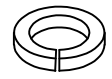
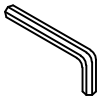

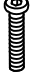

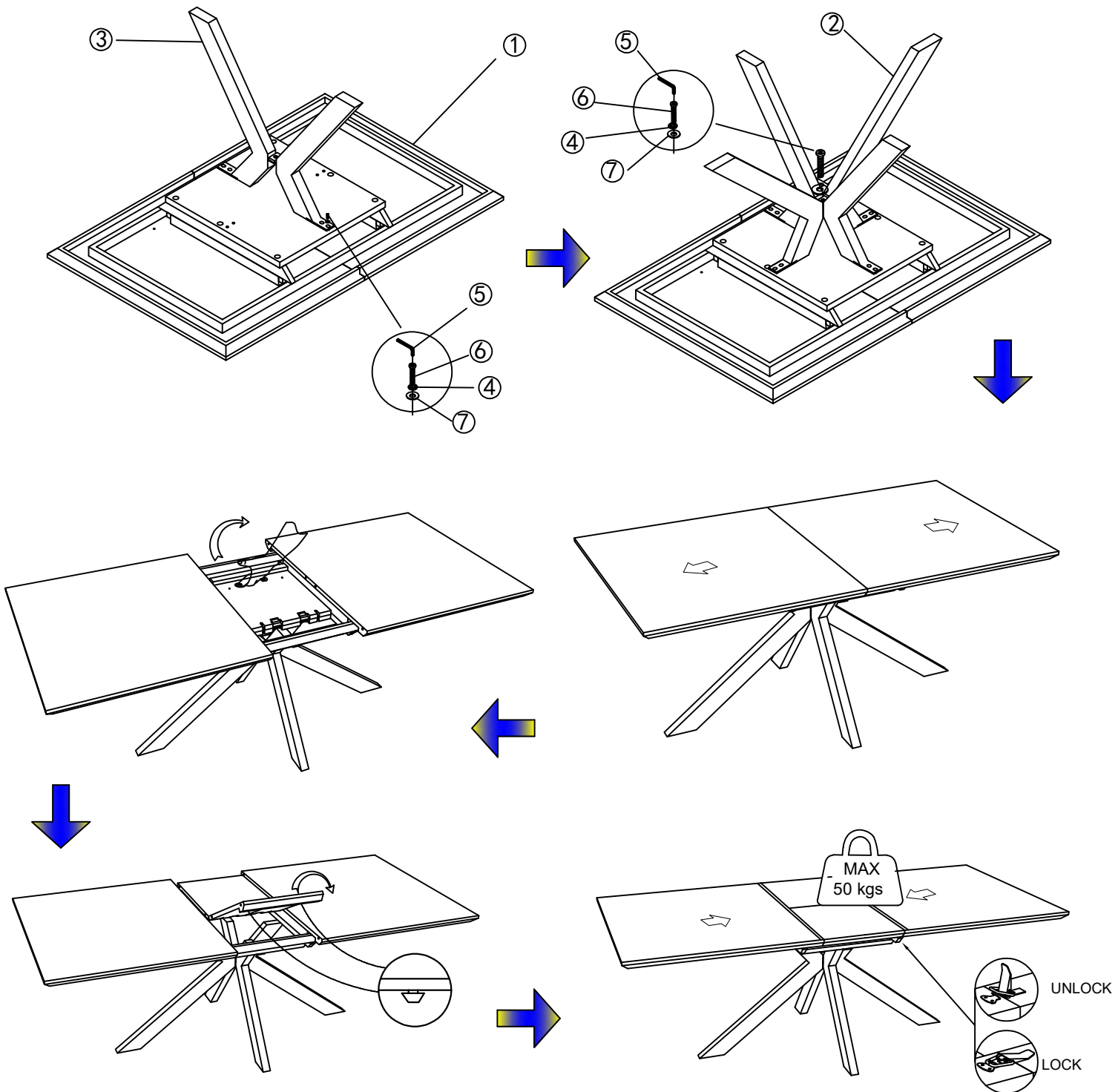


ASSEMBLY INSTRUCTIONS

	 <p>① × 1</p>	 <p>② × 1</p>	 <p>③ × 1</p>	 <p>φ 12x8 ④ × 9</p>	 <p>5# ⑤ × 1</p>
	 <p>M8x20 ⑥ × 9</p>	 <p>φ 20x8 ⑦ × 9</p>	<p>1. The legs need to be aligned first before tightening of the bolts</p>		



2. Adjuster bolt is (under table frame extension) to line up/level off the table top, if required