

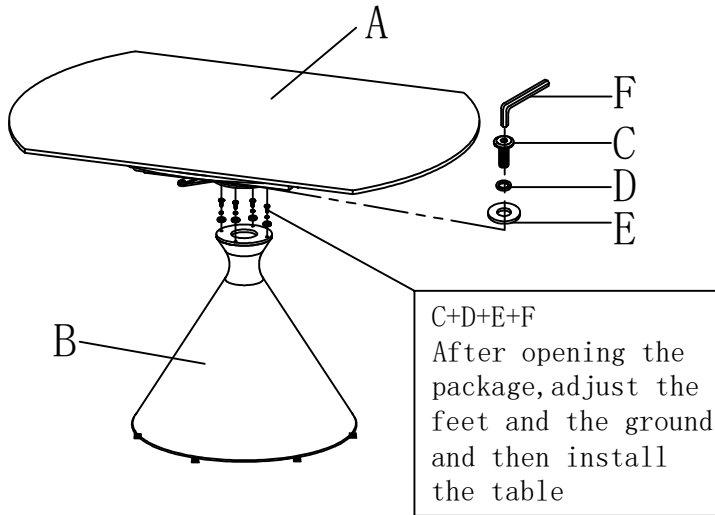
# ASSEMBLY INSTRUCTION

Model: ALO-7525

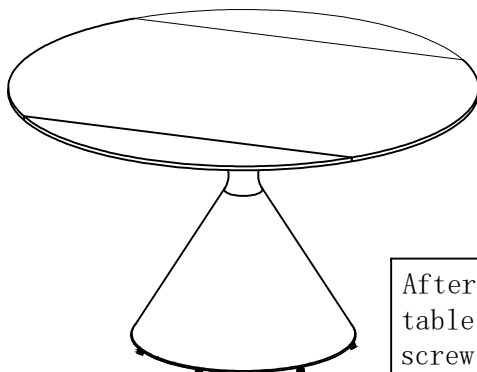
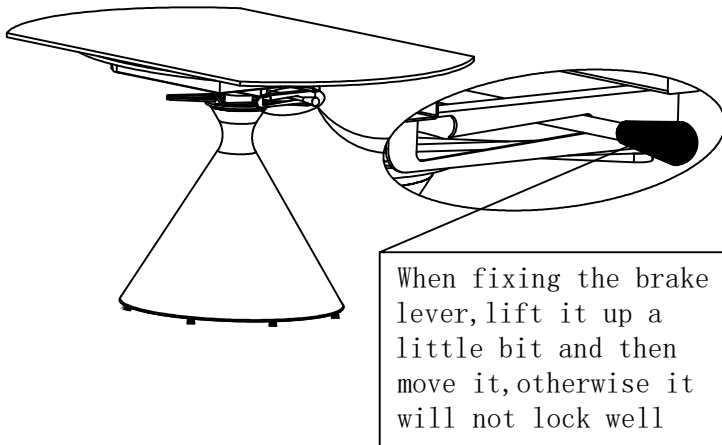
Description: Alonso

Thank you for purchasing this Torelli product. Every effort has been taken to ensure your product arrives in the best condition and to your complete satisfaction. Before you begin to assemble your new furniture, please check to ensure that you have received all assembly fittings and hardware as indicated on this assembly instructions as parts may have become dislodged during delivery. Please follow the assembly instructions closely when proceeding to assemble your new product.

Step 1:



Finish :



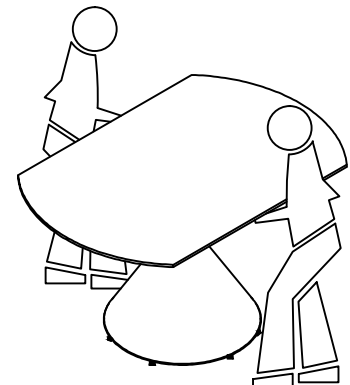
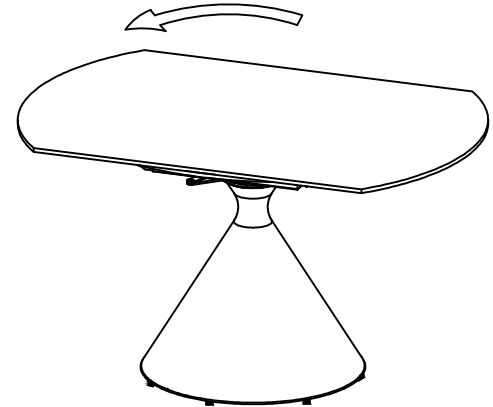
## PART LIST:

NO	Description:	Sketch	Qty
A	Top		1
B	Leg		1

## HARDWARE LIST:

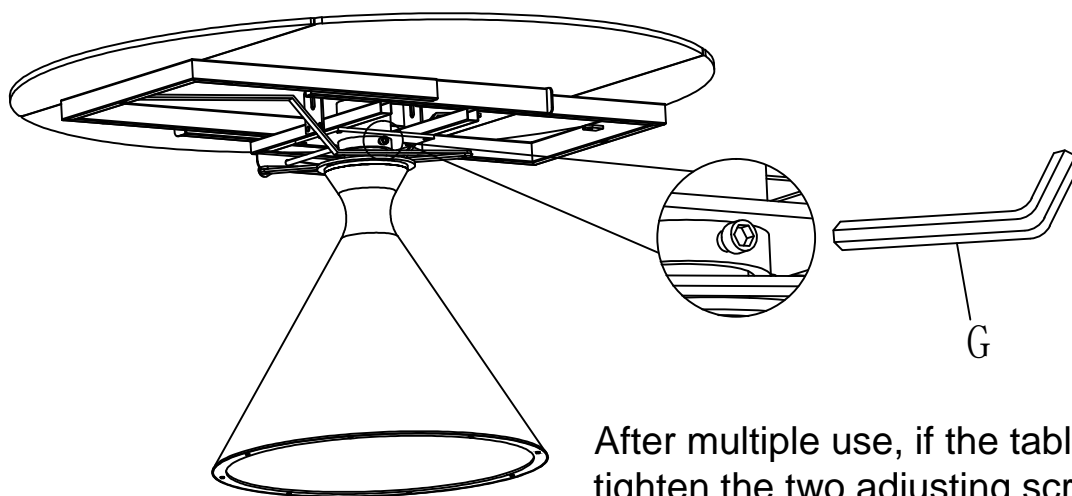
C	Allen Bolt		M8*20	4
D	Washer		M8	4
E	Washer		ø8*ø20*2.0	4
F	Allen key		5#	1
G	Allen key		10#	1
H	Allen key		13#	1

Turn left to rectangle shape.  
Turn right to round shape



TEAM WORK  
made in china

# ASSEMBLY INSTRUCTION



After multiple use, if the table is unstable, tighten the two adjusting screws

Attention! After assembled, if the top not flat, please loosen the screw and adjust the nuts till it's flat.

