

ASSEMBLY INSTRUCTION

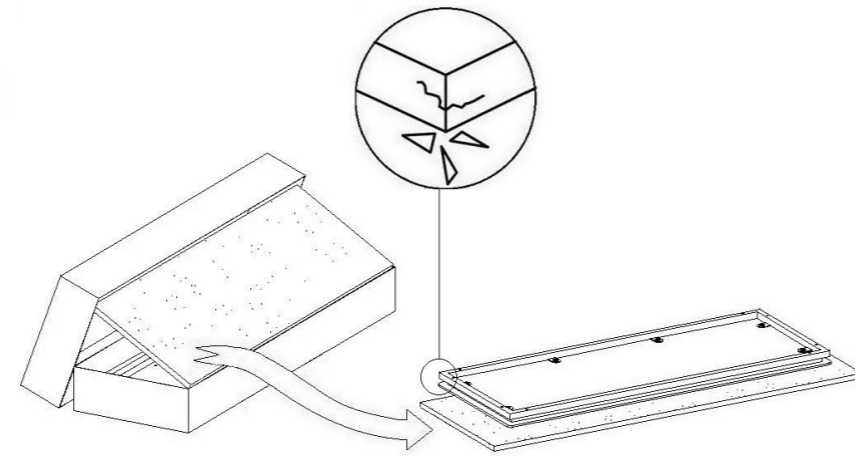
Model: CAP-6665

Description: Capri Grey Ceramic Console Table

Thank you for purchasing this quality product. Be sure to check all packing material carefully for small parts that may have come loose inside the carton during shipment.

Step 1:

To avoid scratches or damages, please put table top on the white foam sheet for assembly works. Avoid knocking on corners or edges.

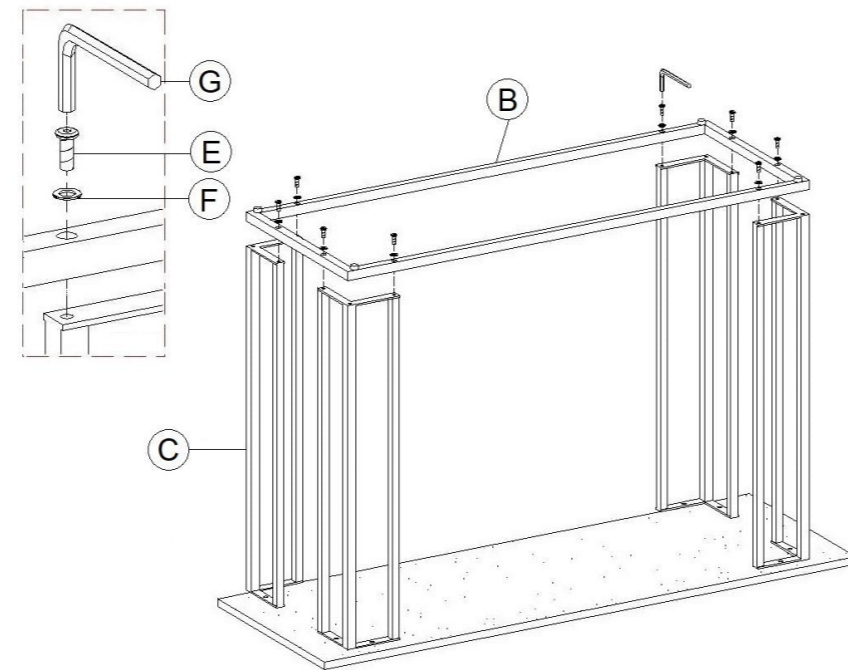


PART LIST:

| NO. | Description | Sketch | Quantity |
|-----|-------------|--------|----------|
| A | Table top | | 1pc |
| B | Metal frame | | 1pc |
| C | Table leg | | 4pc |

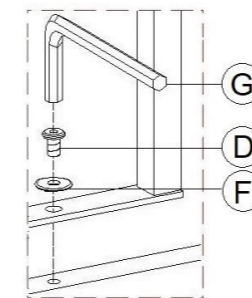
| NO. | Description | Sketch | Size | Quantity |
|-----|-------------|--------|-------|----------|
| D | Bolt | | m6x16 | 8pcs |
| E | Bolt | | m6x30 | 8pcs |
| F | Plate | | m6x16 | 16pcs |
| G | Allen key | | 4mm | 1pc |

Step 2:



Step 3:

Please keep all screws loose and tighten TOGETHER after all parts are assembled to the correct positions.



Finished:

