

Ref:Giovanni
Extension Table
120(+30+30)x90x76 cm



Assembly Instructions

This manual contains important information that should be kept for future reference.

Self-assembly.

Warning! Keep children away from the assembly area. Leave the plastic bags out their reach.

The small parts pose a choking hazard.

Dimensions

Product without extension: 120 x90 x 76 cm

Product with extension: 180 x 90 x 76 cm

Materials

Top and extension: ceramic.

Feet: painted metal.

Assembly Instructions

Before beginning assembly, identify all components using the manual.

In order not to lose components, do not throw the package before completing the full assembly.

This product must be assembled by an adult.

Plan to assemble the furniture as near as possible to where you want to install.

Assemble on a clean, flat surface.

Recommendations for use

This product was designed for indoor use only. Do not sit on the product.

Do not stand on the product.

Beware risk of pinching/ jamming at the output and storage of extensions.

Maintenance

Metal part:

Remove dust regularly with a dry cloth.

Clean with a soft, damp cloth. Then wipe with a clean dry cloth. Do not use abrasives.

Part of ceramic:

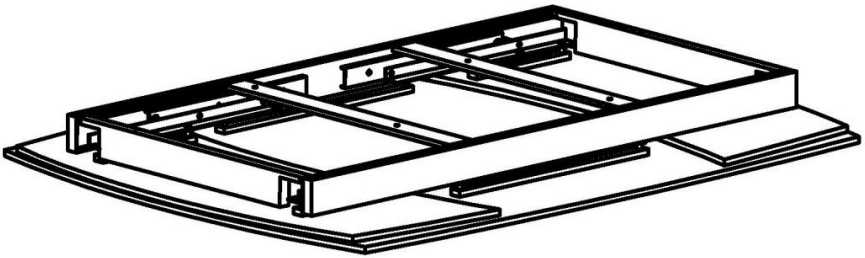
Clean with ceramic cleaner and a soft cloth, then wipe with a dry cloth.

Speak with soft circular motions. Do not get in direct contact with objects which might scratch the surface.

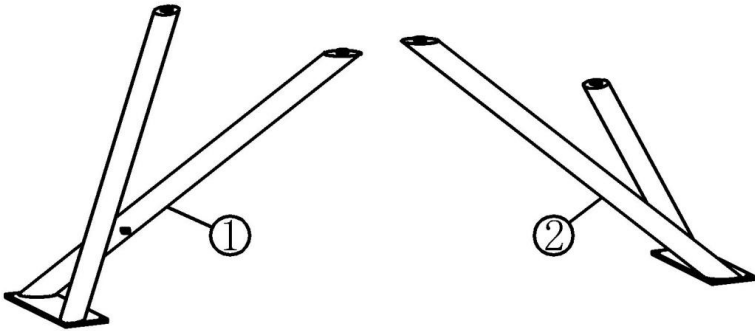
Do not strike the ceramic with hard or sharp object.

Avoid placing furniture in the immediate vicinity of a heater or air conditioner. The heat and humidity can cause cracks or deformities.

Assembly Instructions



Carton:1/2



A*5pcs 

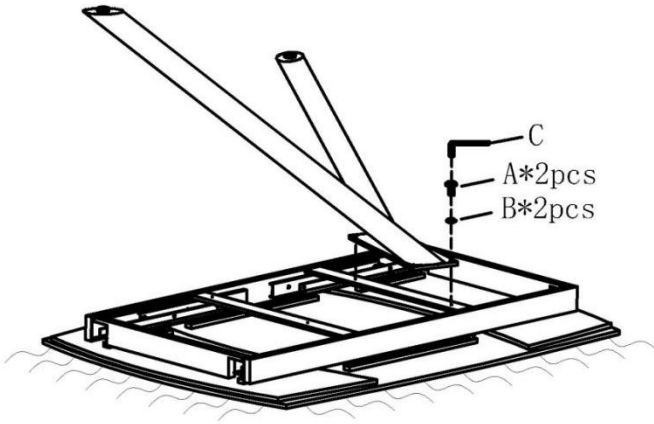
B*5pcs 

C*1pc 

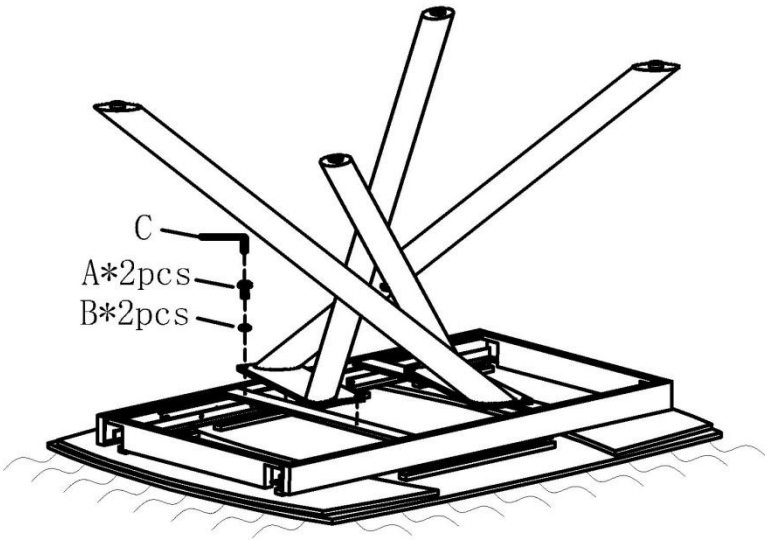
Carton:2/2

Assembly Instructions

1

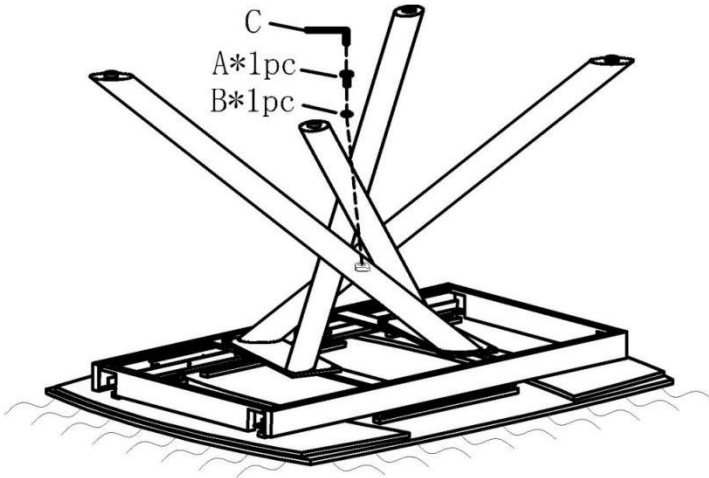


2

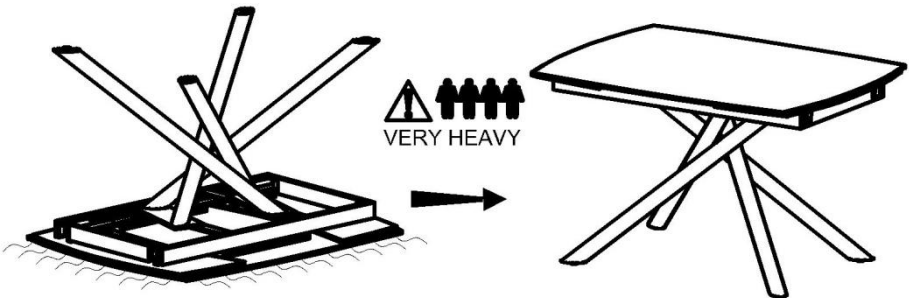


Assembly Instructions

3



4



Assembly Instructions

5

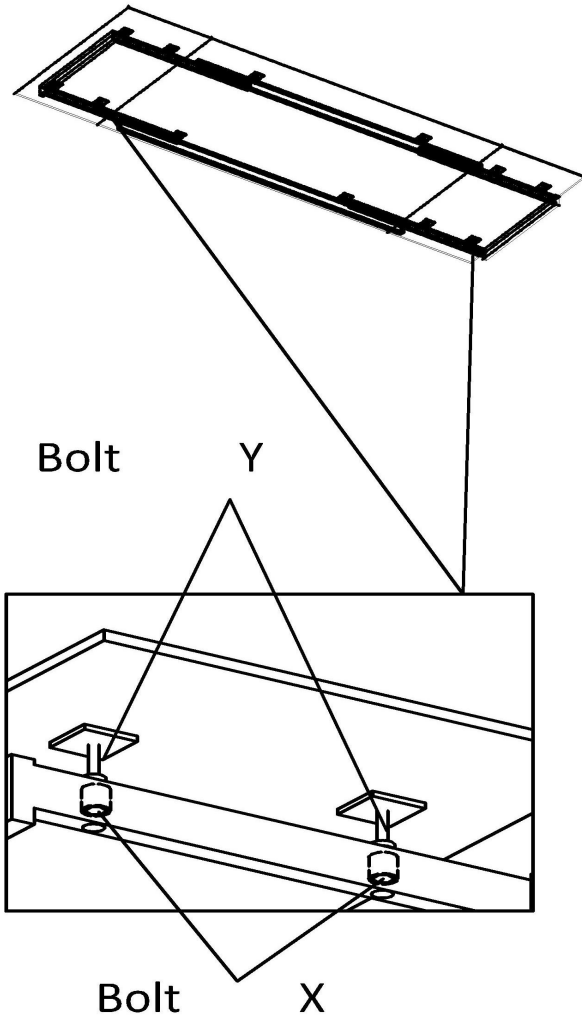


6



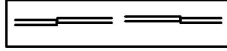
Adjustment Instructions

Levelness and Alignment

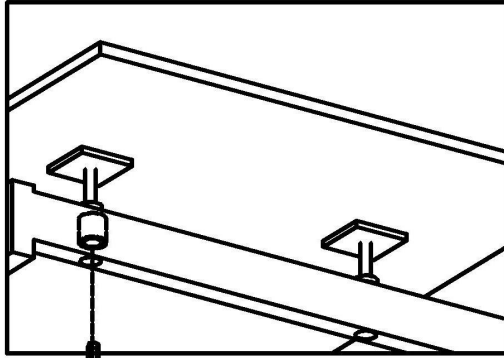


Adjustment Instructions

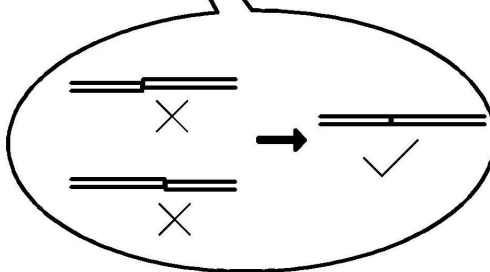
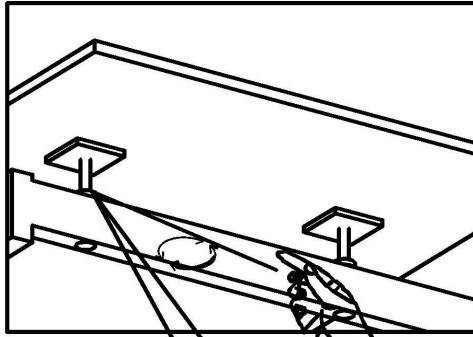
1. Level adjustment



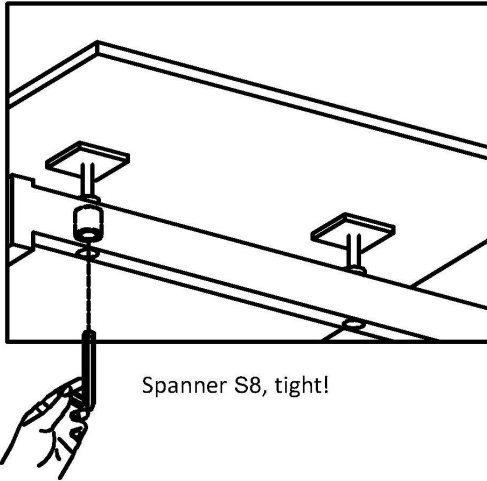
Spanner S8



Spanner S8, loose!



Adjustment Instructions

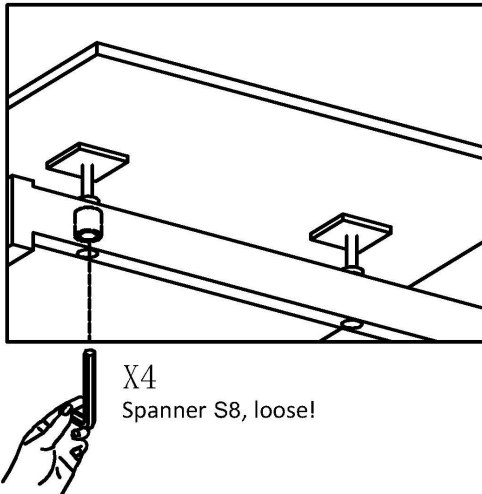


Spanner S8, tight!

2. Alignment adjustment

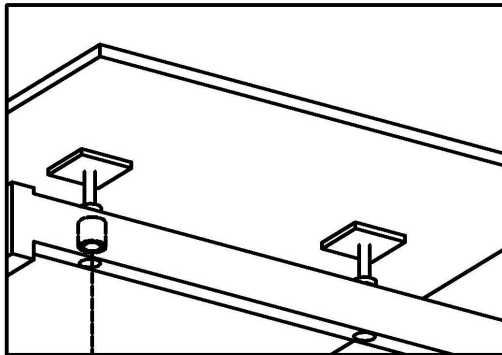
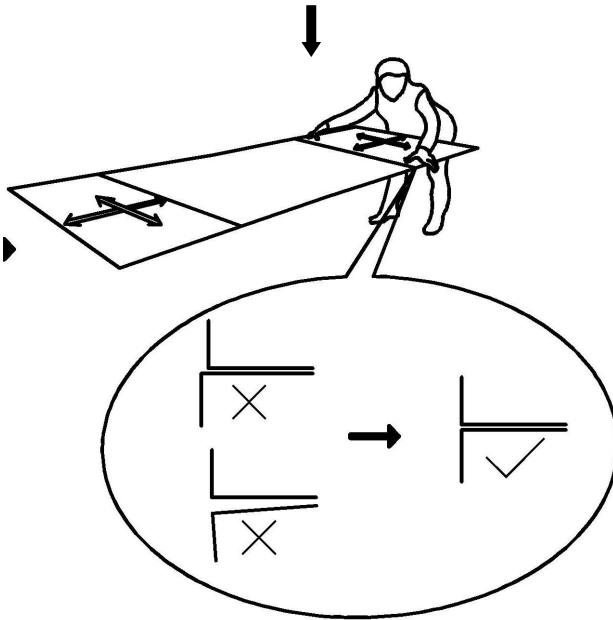


Spanner S8



X4
Spanner S8, loose!

Adjustment Instructions



X4
Spanner S8, tight!