

ASSEMBLY INSTRUCTION

Model: SIM-7358

Description: Simoni Orange Dining Chair




Thank you for purchasing this Torelli product. Every effort has been taken to ensure your product arrives in the best condition and to your complete satisfaction. Before you begin to assemble your new furniture, please check to ensure that you have received all assembly fittings and hardware as indicated on this assembly instructions as parts may have become dislodged during delivery.

Please follow the assembly instructions closely when proceeding to assemble your new product.

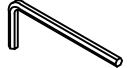



Step 1

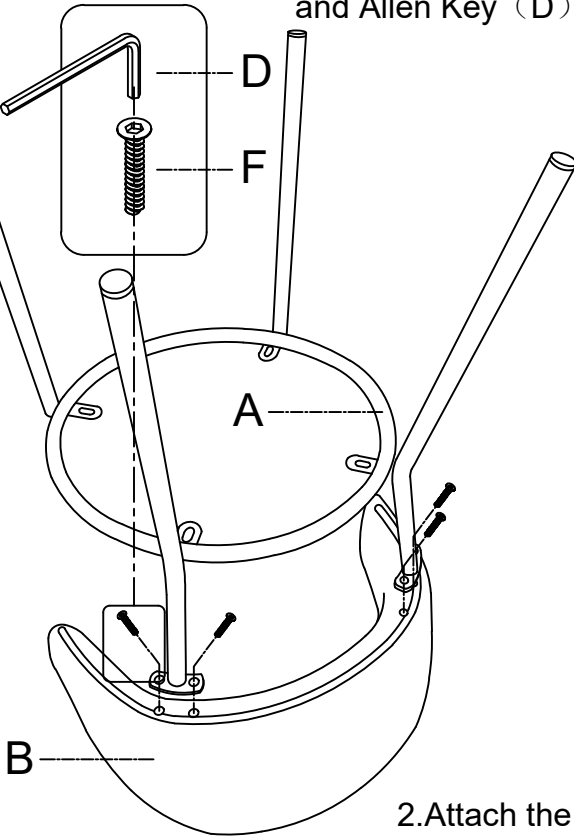
1. Attach the Back (B) to the chair Frame (A) and fasten by Countersunk head screws (F) and Allen Key (D).

PART LIST:

NO	Description	Sketch	Qty
A	Frame		1 pc
B	Back		1 pc
C	Seat		1 pc

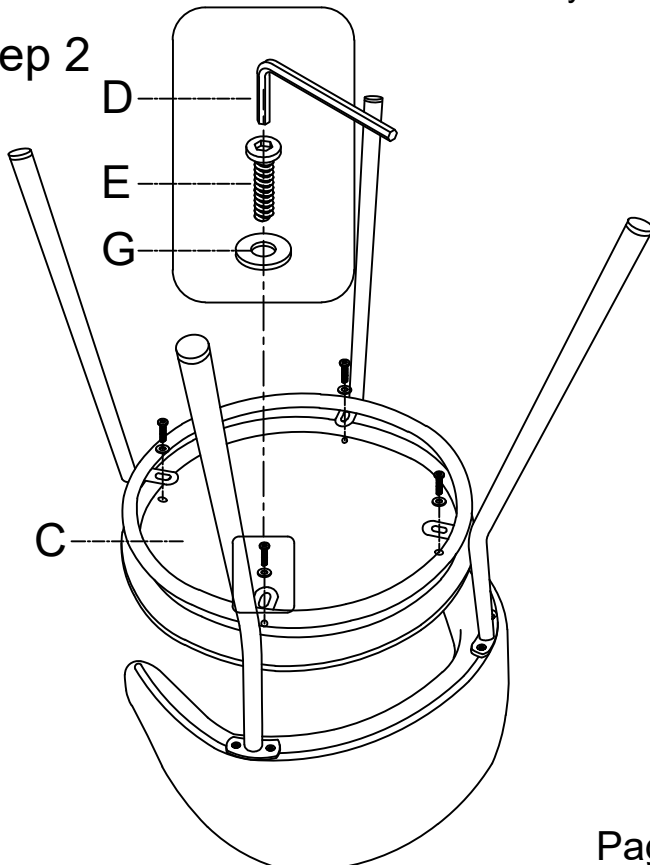
HARDWARE LIST:

NO	Description	Sketch	Qty
D	Allen Key		1 pc
E	Bolt		4 pcs
F	Countersunk head screws		4 pcs
G	Flat Washer		4 pcs



2. Attach the Seat (C) to the chair Frame (A) and fasten by Flat Washer (G) Bolt (E) and Allen Key (D).

Step 2



Step 3

