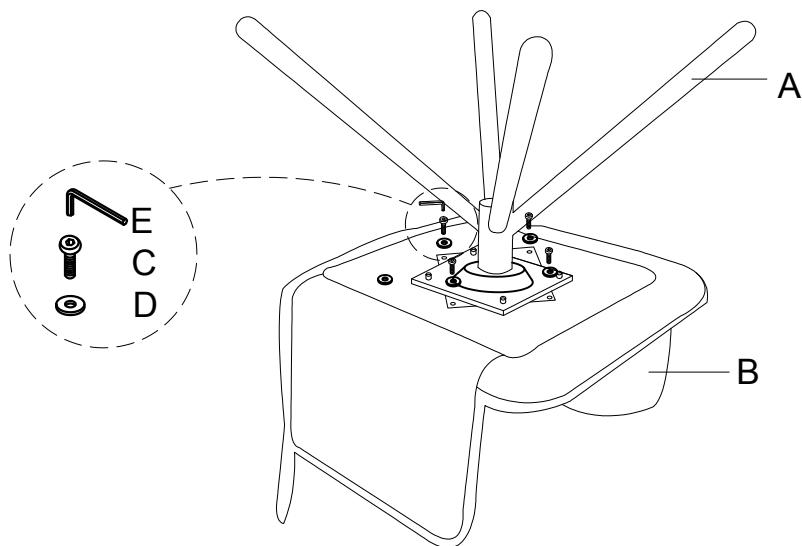


ASSEMBLY INSTRUCTION

Description: Zanetti Dining Chair

Thank you for purchasing this quality product. Be sure to check all packing material carefully for small parts that may have come loose inside the carton during shipment.

Step 1



PART LIST:

NO	Description	Sketch	Qty
A	Frame		1 pc
B	Seat		1 pc

HARDWARE LIST:

NO	Description	Sketch	Qty
C	Bolt		4 pcs
D	Flat Washer		4 pcs
E	Allen Key		1 pc

Attach the Frame(A) to the chair Seat(B) and fasten by Flat Washer(D), Bolt(C) and Allen Key(E). Note: Please do not fully tighten all bolts until the hole of Frame(A) align with the hole pre-assembly on the Seat(B).

Step 2

