

ASSEMBLY INSTRUCTION

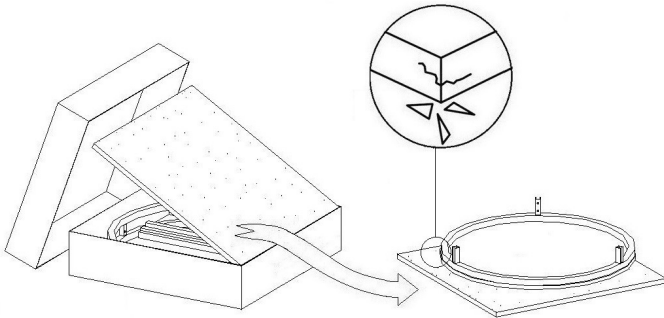
Model: ZIC-6733

Description: Zico White Ceramic Coffee Table Set

Thank you for purchasing this quality product. Be sure to check all packing material carefully for small parts that may have come loose inside the carton during shipment.

Step 1:

To avoid scratches or damages, please put table top on the white foam sheet for assembly works. Avoid knocking on corners or edges.

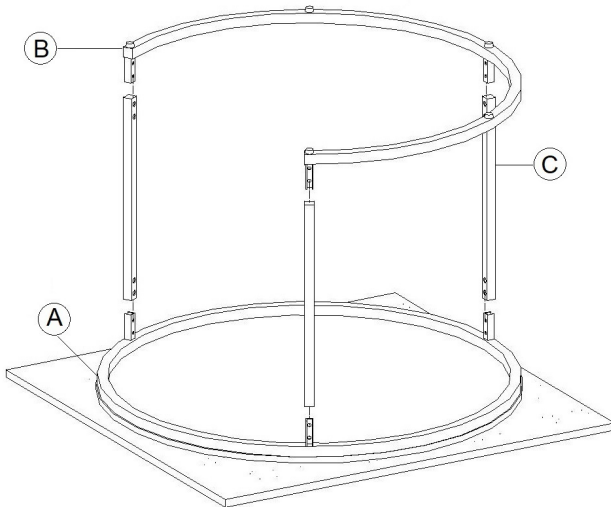


PART LIST:

NO.	Description	Sketch	Quantity
A	Table top		1pc
B	Table leg		1pc
C	Table leg		3pcs

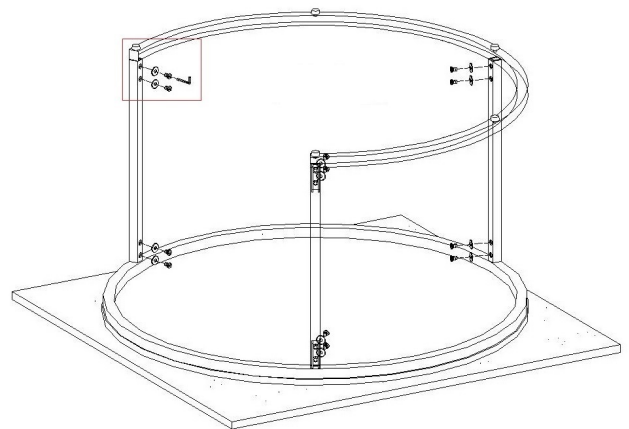
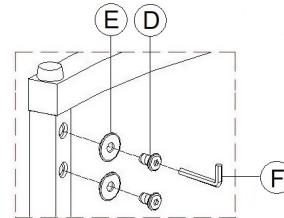
NO.	Description	Sketch	Size	Quantity
D	Bolt		m6x10	12pcs
E	Plate		m6x16	12pcs
F	Allen key		4mm	1pc

Step 2:

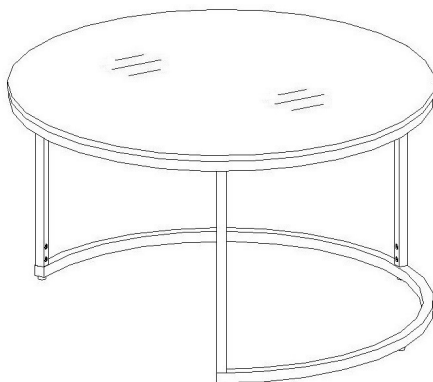


Step 3:

Please keep all screws loose and tighten TOGETHER after all parts are assembled to the correct positions.



Finished:



ASSEMBLY INSTRUCTION

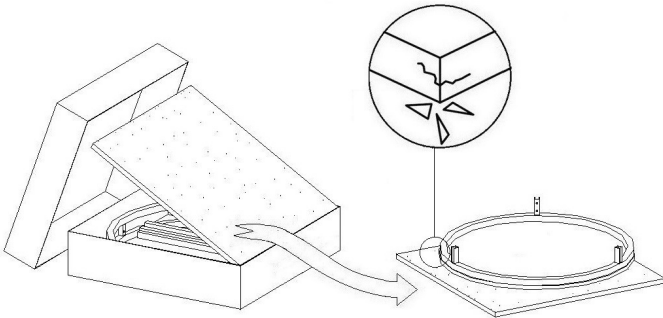
Model: ZIC-6733

Description: Zico White Ceramic Coffee Table Set

Thank you for purchasing this quality product. Be sure to check all packing material carefully for small parts that may have come loose inside the carton during shipment.

Step 1:

To avoid scratches or damages, please put table top on the white foam sheet for assembly works. Avoid knocking on corners or edges.

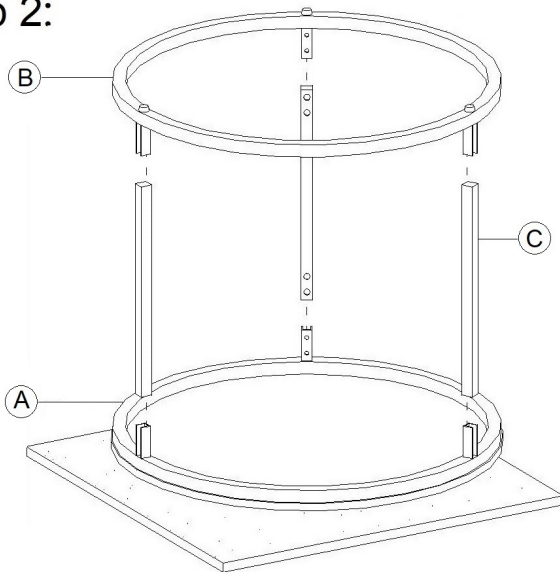


PART LIST:

NO.	Description	Sketch	Quantity
A	Table top		1pc
B	Table leg		1pc
C	Table leg		3pcs

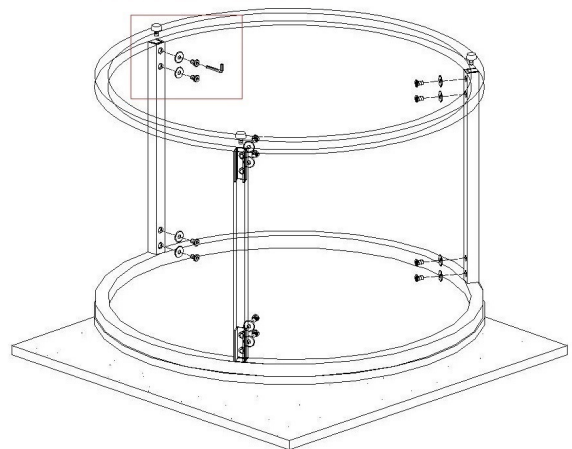
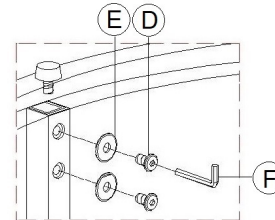
NO.	Description	Sketch	Size	Quantity
D	Bolt		m6x10	12pcs
E	Plate		m6x16	12pcs
F	Allen key		4mm	1pc

Step 2:



Step 3:

Please keep all screws loose and tighten TOGETHER after all parts are assembled to the correct positions.



Finished:

